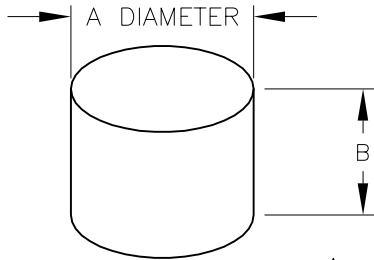


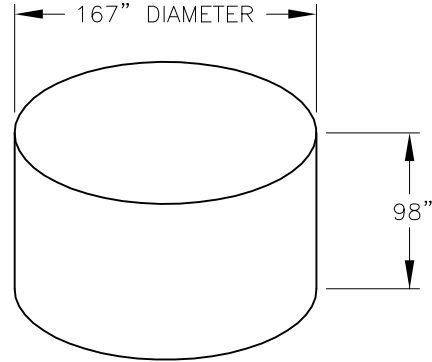
## MACHINE CAPABILITIES CHART

THE FOLLOWING LISTS SOME OF THE MACHINES AND THEIR CAPABILITIES THAT WE UTILIZE. A COMPLETE LIST OF MACHINES AND THEIR CAPABILITIES IS AVAILABLE UPON REQUEST

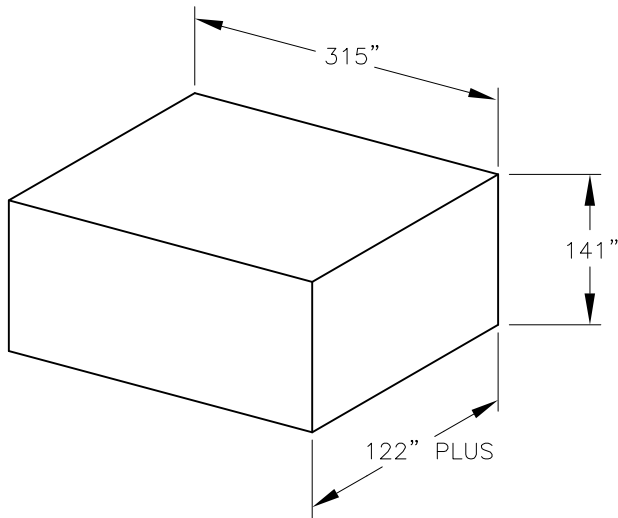


	---A---	-B-
SURFACE	100" DIA.	22"
CYLINDER	19.5" DIA.	144"

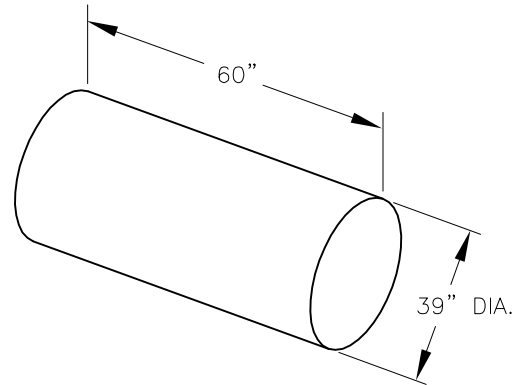
**GRINDING**



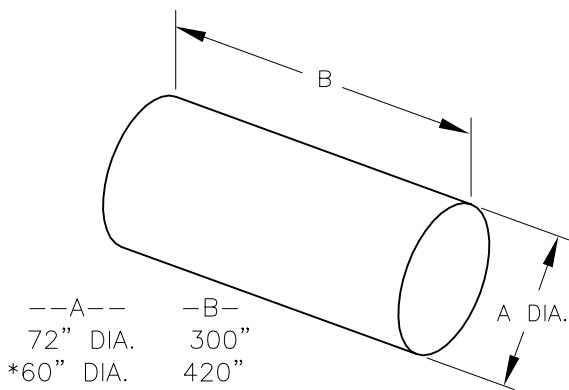
**CNC VERTICAL BORING MILL**



**CNC HORIZONTAL BORING MILL**



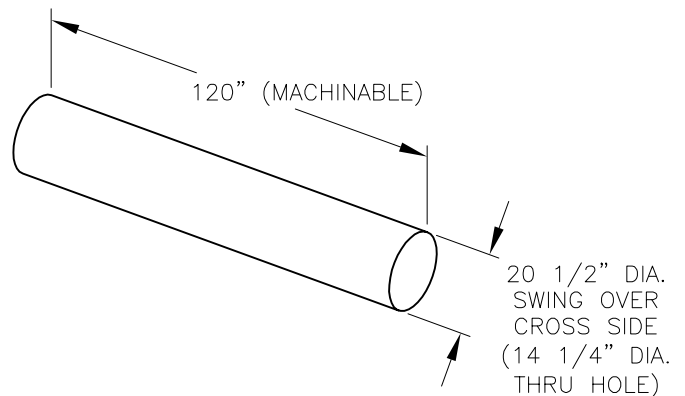
**CNC LATHE**



---A---	-B-
72" DIA.	300"
*60" DIA.	420"

\*OVER CROSS SLIDE

**LARGE DIAMETER LATHE**



**CNC HOLLOW SPLINDE LATHE**